

NL500 Series

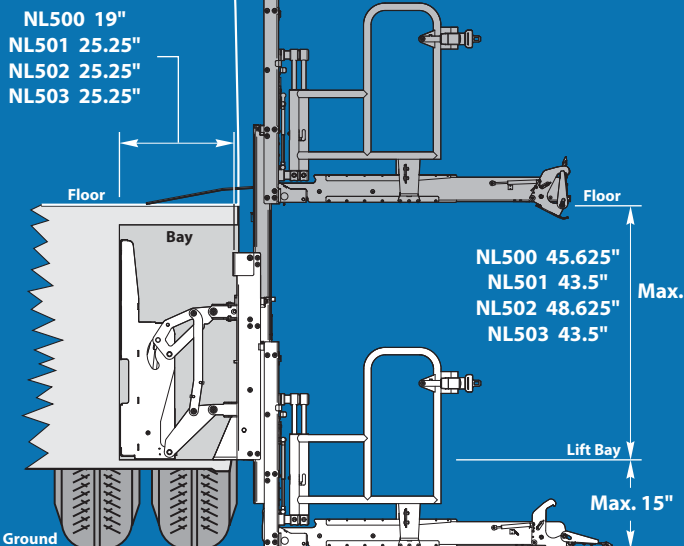
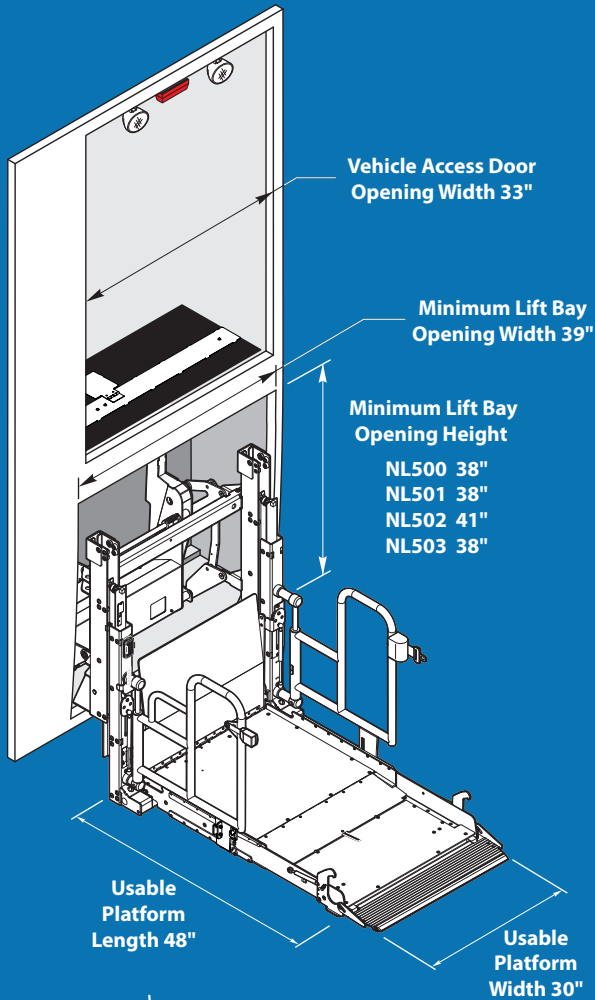
Commercial Wheelchair Lifts



 **BraunAbility**[®]
Life is a Moving Experience[™]

NL500 Series

NL500 • NL501 • NL502 • NL503



- FMVSS 403 Compliant
- Automatic inboard / outboard barriers
- 660# lifting capacity, 450# lift weight
- Hydraulic in/out motion
- Manual folding/unfolding handrails
- Manual platform folding/unfolding
- Manual pull-out platform extension
- Hydraulic up/down telescopic motion
- 24 volt system

 **BraunAbility**[®]
Life is a Moving Experience™

631 West 11th Street • Winamac, IN 46996

(574) 946-6153 • 1-800-THE-LIFT

www.braunability.com/commercial