



2010 *International Application Guide* • Volume 9 • Issue 2 • 5-24-10



**SWING-A-WAY SERIES™**

# Swing-A-Way Series™ Wheelchair Lifts

## L800XEVA

Useable Platform\*:  
26" x 46.25"  
(66 cm x 117 cm)

## L800XVA

Useable Platform:  
29" x 36.25"  
(74 cm x 92 cm)

## L800XR

Useable Platform:  
29" x 36.25" (74 cm x 92 cm)  
Reverse Model for Right Hand  
Drive, Front Post / B-pillar

Explanations of abbreviations:

**X** = Front Post / B-pillar

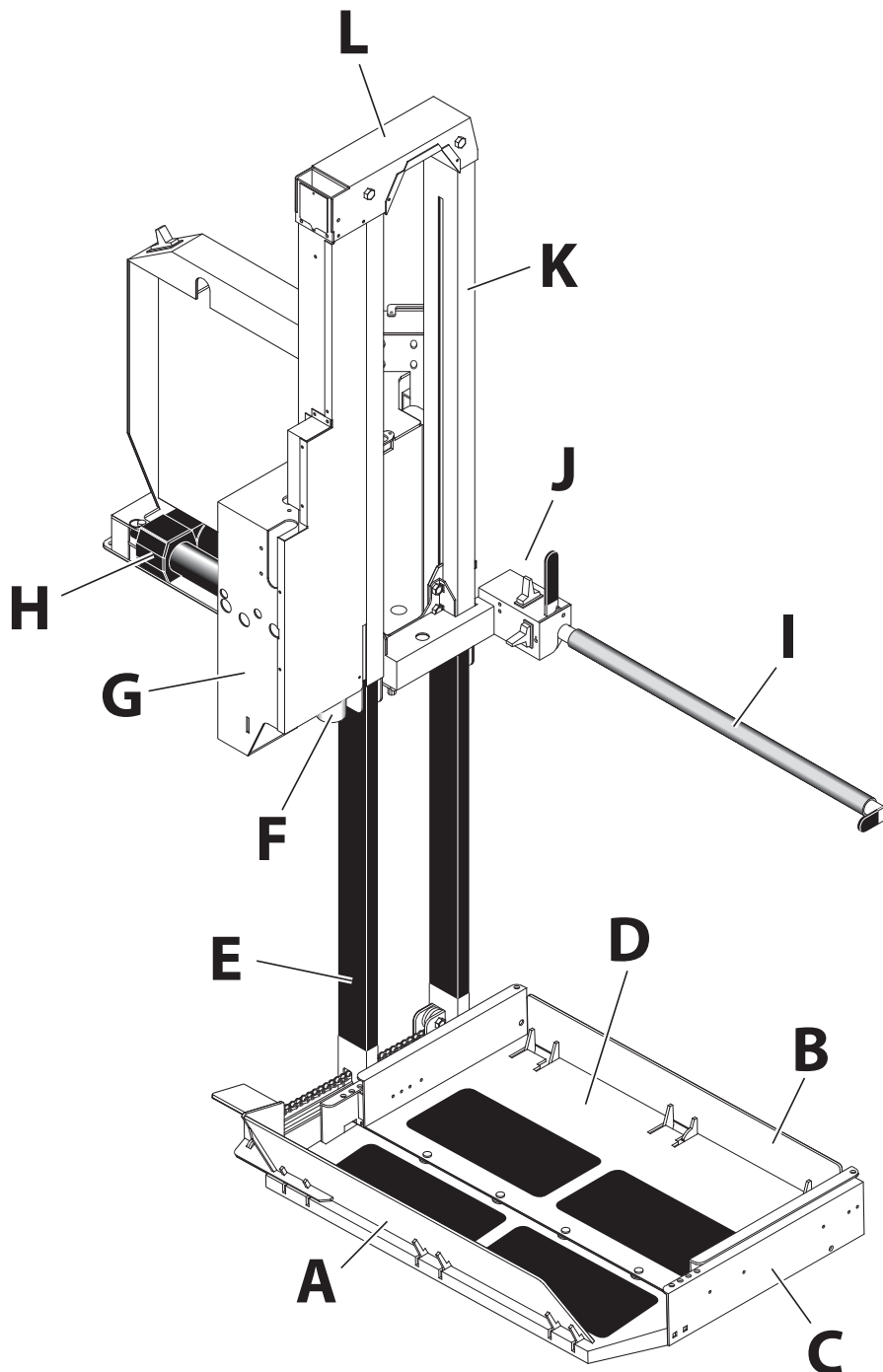
**E** = Extended Platform

**V** = Volkswagon or Mercedes Vito

**A** = Adjustable Installation

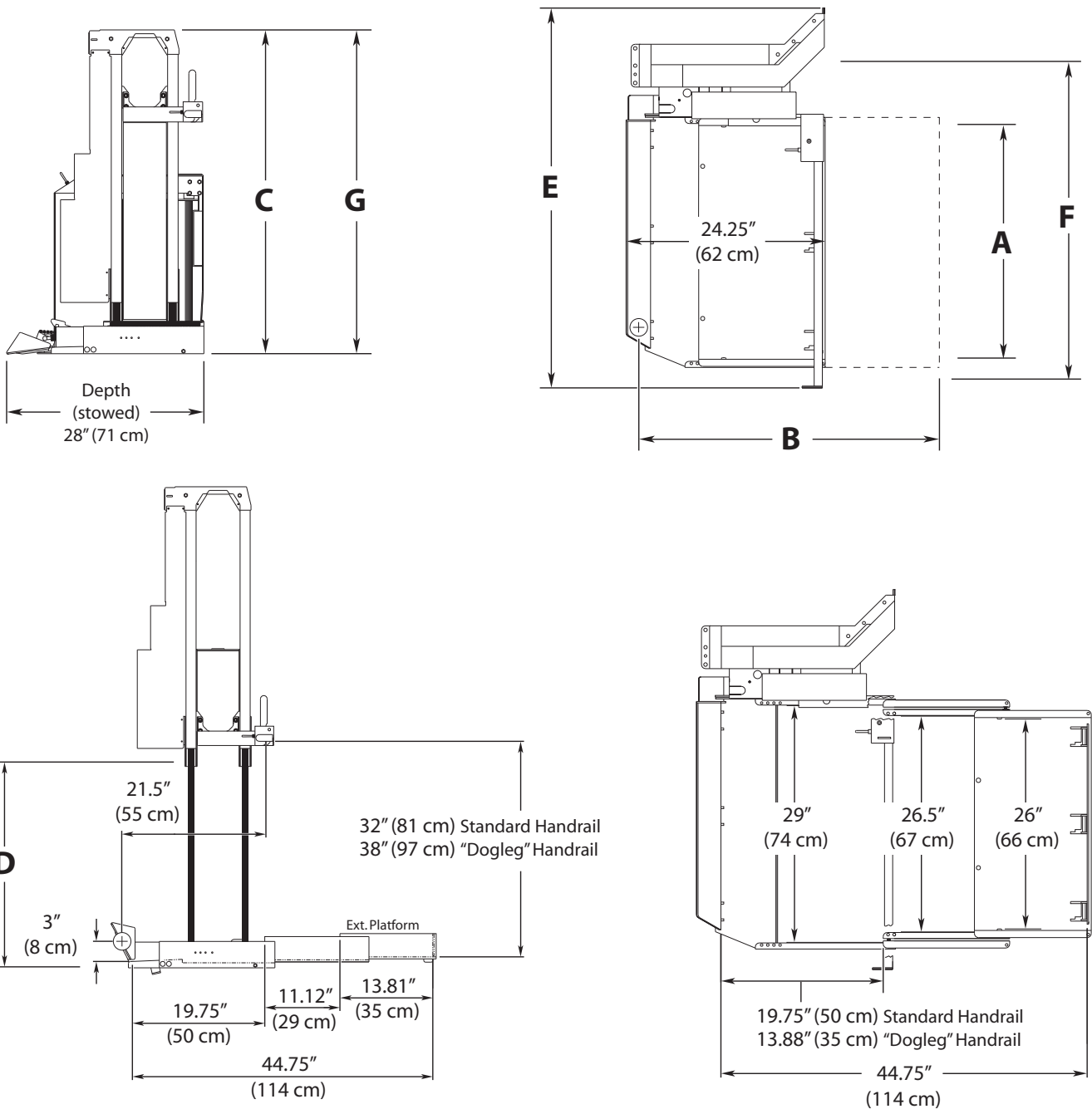
**R** = Reverse Model for Right Hand Drive,  
Front Post B-pillar

\* Platform width dimension measured at the entrance of the platform. The farthest part inward of the Extended Platform (E).



<b>A</b> - "Rear Wheel" Barrier	<b>G</b> - Pump Module (Power Pack)
<b>B</b> - "Front Wheel" Barrier	<b>H</b> - Electric Actuator
<b>C</b> - Platform	<b>I</b> - Handrail
<b>D</b> - "Sliding" Platform Extension	<b>J</b> - Switches
<b>E</b> - Slide Tube (2)	<b>K</b> - Horseshoe
<b>F</b> - Hydraulic Cylinder	<b>L</b> - Header

# Swing-A-Way Series™ Dimensions



All dimensions are for reference only.

Swing-A-Way Series™			A	B	C	D	E	F	G
Lift Model Number	Operation		Clear Platform Width	Clear Platform Length	Overall Lift Height	Max. Floor to Ground	Overall Lift Width	Min. Clear Door Opening Width	Min. Clear Door Opening Height
	User	Attdt.							
L800XVA	X	X	29"(74cm)	36.25"(92cm)	46.25"(117cm)	27"(69cm)	45.88"(117cm)	41"(104cm)	46.5"(118cm)
L800XEVA	X	X	26"(66cm)	46.25"(117cm)	46.25"(117cm)	27"(69cm)	45.38"(115cm)	41"(104cm)	46.5"(118cm)
L800XR	X	X	29"(74cm)	36.25"(92cm)	46.25"(117cm)	27"(69cm)	45.88"(117cm)	41"(104cm)	46.5"(118cm)

# Swing-A-Way Series™ Specifications

**General Function:** Electrohydraulic, power up/gravity down operation

**Operation:** Hydraulic pump with one lifting cylinder

**Control:** Module mounted switches, handrail Up/Down/In/Out switches,  
optional hand-held control and remote control

**Hydraulic:** Pressure Max. 2,103 psi (145 bar), Fluid is Univis HVI 26, reservoir is .25 gal (1.0 L)

**Construction:** Steel structure with powder coat finish

**Lift Weight:** 245 lbs (111 kg) - 269 lbs (122 kg) (depending on lift model)

**Lifting Capacity:** 800 lbs (363 kg)

**Operating Temperature:** 19°F to 149°F (-7°C to 65°C)

**Power Supply:** 12V DC

**Current Consumption:** Max. 100A (12V)



# Swing-A-Way Series™ Accessories



**15606A**

Hand-Held  
Control Station Kit

Included at no charge when specified on  
a lift without door operators.  
Controls lift functions only.



**34972K**

Six-Touch Remote  
Control System

**34352**

Extra Transmitter  
for Six-Touch

Controls all lift functions as well as door operators  
(if so equipped) (North American Frequency)



**800-4000**

Side Slide

Door Operator

**18633A**

Side Slide

Door Operator  
92 and up Ford

**800-0990A**

Harness Extension

For use with slide door operator.  
Included at no charge when ordered with  
slide door operator.

## Swing-A-Way Series™ Features



- fully automatic lift, operated by the wheelchair occupant or an attendant
- rotary design that provides easier access in tight parking situations, allowing less clearance between parked vehicles
- wheelchair user enters and exits the lift platform along the side of the vehicle
- folding down handrail allows easy access
- color-coded rocker switches integrated on the lift
- optional operation by remote control
- side sliding door application (B pillar) only
- the telescopic platform extends as the wheelchair enters the platform and retracts when the wheelchair gets off
- most suitable for manual wheelchairs, or rear wheel power wheelchairs - not suitable for front wheel power wheelchairs
- extended platform available for scooters
- handrail for the convenience of the wheelchair occupant while on the platform
- a "dogleg" handrail is provided with the extended platform, providing extra clearance for scooter tillers
- the handrail also acts as a locking mechanism, preventing the platform extension from moving when ambulatory passengers exit vehicle
- hydraulic outboard, that will be in the fully up position before the platform leaves the ground
- integrated back-up pump
- designed for use with automatic slide door operator
- durable high-gloss powder coated finish



[www.braunability.com/international](http://www.braunability.com/international)

**ISO 9001:2000**

631 West 11th Street, Winamac, IN 46996, USA Phone: +1 574 946 6153 Fax: +1 574 946 4670