



2010 *International Application Guide* • Volume 9 • Issue 1 • 1-11-10



VANGATER II SERIES™

Vangater II Series™ Wheelchair Lifts

V9684PSSW

Stepwell Application
Swing Door Application

Useable Platform:
30" x 43"
(76 cm x 109 cm)

V9684PFSW

Flat Floor Application
Swing Door Application

Useable Platform:
30" x 47"
(76 cm x 119 cm)

V9684PSSL

Stepwell Application
Slide Door Application

Useable Platform:
30" x 43"
(76 cm x 109 cm)

V9684PFSL

Flat Floor Application
Slide Door Application

Useable Platform:
30" x 47"
(76 cm x 119 cm)

V9684PFSW-FDR*

Flat Floor, Swing Door Application - **FDR** = Fiat Ducato Rear Door*

V9684PFSW-FDS*

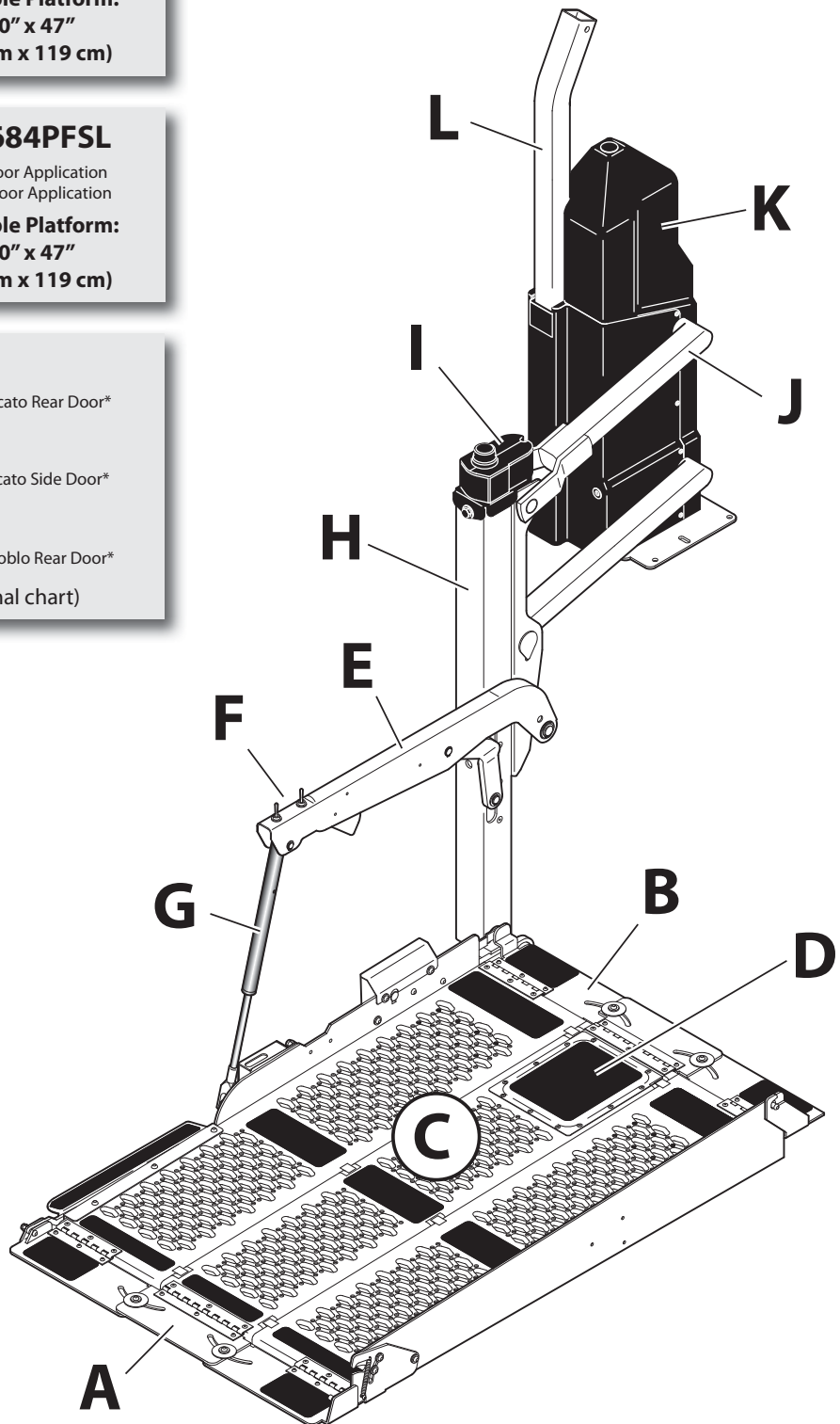
Flat Floor, Swing Door Application - **FDS** = Fiat Ducato Side Door*

V9684PFSW-FDBR*

Flat Floor, Swing Door Application - **FDBR** = Fiat Doblo Rear Door*

* **Special made models** (see dimensional chart)

Please note, V9684PF models needs to be installed on a pedestal. Floor to ground and min. clear door open height is always considered from base of lift.



NMV05DC

Dodge/Chrysler Minivans

Useable Platform:
26" x 41"
(66 cm x 104 cm)

NMV05GM

GM Minivans

Useable Platform:
26" x 41"
(66 cm x 104 cm)

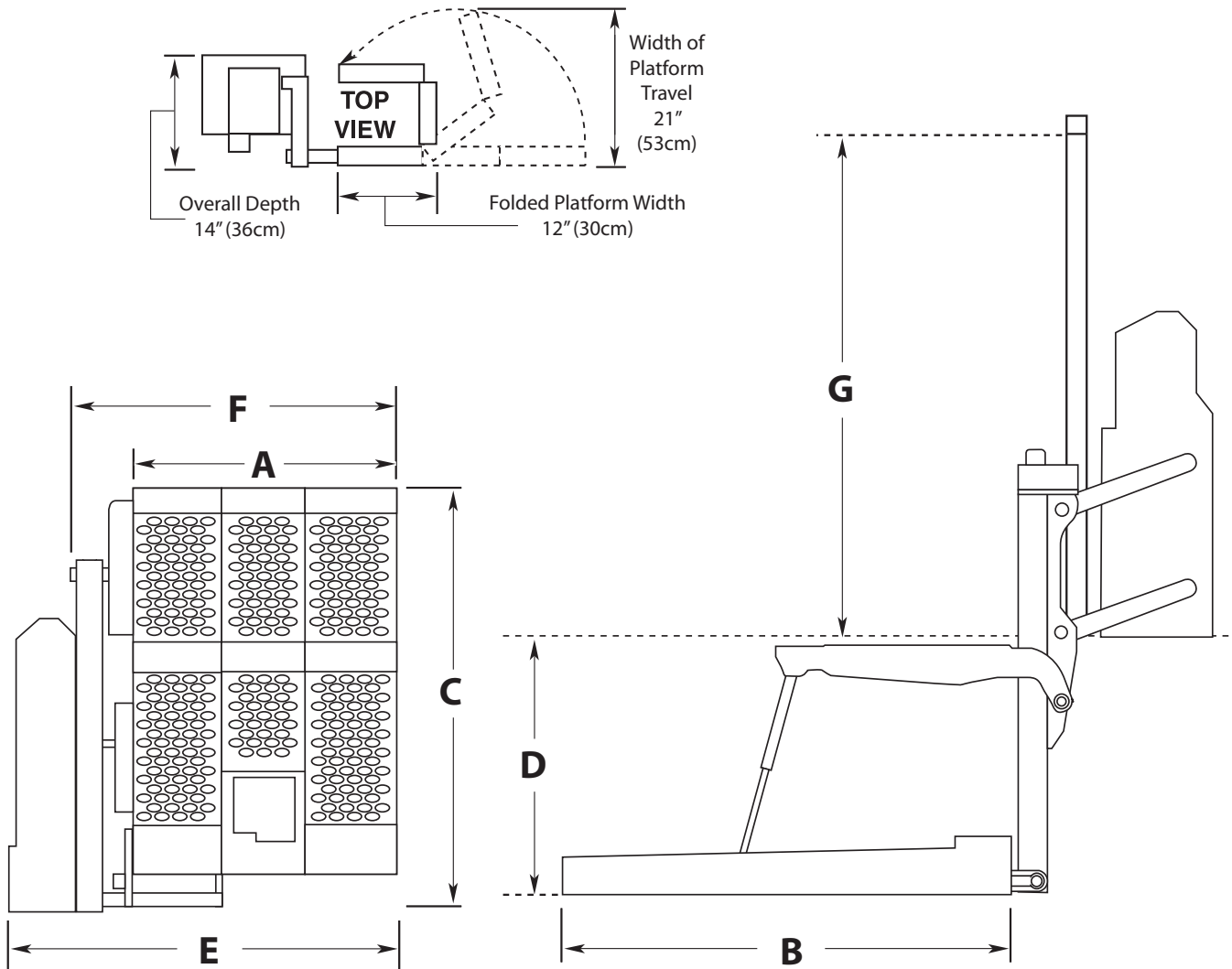
NMV05FD

Ford Minivans

Useable Platform:
26" x 41"
(66 cm x 104 cm)

A - Automatic Outboard Barrier	G - Lift Rod
B - Inboard Locator	H - Vertical Arm
C - Platform	I - Stow / Deploy Actuator
D - Platform Fold Mechanism (Under Cover)	J - Drive Arm (2)
E - Switch Arm	K - Power Module
F - Control Switches	L - Mounting Brace

Vangater II Series™ Dimensions



All dimensions are for reference only.

Vangater II Series™			A	B	C	D	E	F	G
Lift Model Number	Operation		Clear Platform Width	Clear Platform Length	Overall Lift Height	Max. Floor to Ground	Overall Lift Width	Min. Clear Door Opening Width	Min. Clear Door Opening Height
	User	Attdt.							
V9684PSSW	X	X	30"(76cm)	43"(109cm)	48"(122cm)	29"(74cm)	48"(122cm)	39.5"(100cm)	48"(122cm)
V9684PFSW	X	X	30"(76cm)	47"(119cm)	48"(122cm)	29"(74cm)	48"(122cm)	39.5"(100cm)	48"(122cm)
V9684PSSL	X	X	30"(76cm)	43"(109cm)	48"(122cm)	29"(74cm)	48"(122cm)	39.5"(100cm)	48"(122cm)
V9684PFSL	X	X	30"(76cm)	47"(119cm)	48"(122cm)	29"(74cm)	48"(122cm)	39.5"(100cm)	48"(122cm)
NMV05DC	X	X	26"(66cm)	41"(104cm)	42"(107cm)	29"(74cm)	40"(102cm)	31"(79cm)	42"(107cm)
NMV05GM	X	X	26"(66cm)	41"(104cm)	42"(107cm)	29"(74cm)	40"(102cm)	31"(79cm)	42"(107cm)
NMV05FD	X	X	26"(66cm)	41"(104cm)	42"(107cm)	29"(74cm)	40"(102cm)	31"(79cm)	42"(107cm)
V9684PFSW-FDR*	X	X	30"(76cm)	47"(119cm)	48"(122cm)	29"(74cm)	48"(122cm)	39.5"(100cm)	48"(122cm)
V9684PFSW-FDS*	X	X	30"(76cm)	47"(119cm)	48"(122cm)	29"(74cm)	48"(122cm)	39.5"(100cm)	48"(122cm)
V9684PFSW-FDBR*	X	X	26.75"(68cm)	43"(109cm)	44"(112cm)	29"(74cm)	45"(114cm)	34.25"(87cm)	48"(122cm)

Vangater II Series™ Specifications

General Function: Electric power up/power down operation

Control: Module mounted switches, Up/Down switch on switch arm, optional hand-held control and remote

Construction: Steel structure with powder coat finish

Lift Weight: 320 lbs (145 kg)

Lifting Capacity: 600 lbs (272 kg) - NMV Models 400 lbs (181 kg)

Operating Temperature: -40°F to 185°F (-40°C to 85°C)

Power Supply: 12V DC

Current Consumption: Max. 85A (12V)



Vangater II Series™ Accessories



04853-000
Handheld
Pendant Control

Included at no charge when
specified on a lift order



04865-000
Dash-Mounted Toggle Switch
(stow/deploy)

04870-000
Dash-Mounted Touch Pad
(stow/deploy)



04805-000
Dash-Mounted Toggle Switch
(power fold)

04869-000
Dash-Mounted Touch Pad
(power fold)



R2003
Remote Control System
(includes keychain transmitter)
(North American Frequency)

57308-000
Replacement Hand-Held

57309-000
Keychain Transmitter

Vangater II Series™ Features



- fully automatic lift, operated by the wheelchair occupant or an attendant
- left mounted single post design, provides more usable interior space and offers a clearer view
- automatic tri-folding platform allows easy access
- hand-held control box with a single-function switch control for all lift operations
- additional up/down switch mounted on the switch arm
- optional operation by remote control
- a platform leveling feature can be accessed by a switch on the switch arm and is used to level the occupied platform when the vehicle is parked on an incline
- side or rear door application
- smaller platform model available for mini-vans (NHTSA)
- designed for flat-floor and step-well application
- standard side entry platform provides easier access in tight parking situations
- see-through, non slip platform made of strong tubular steel construction
- switch arm for the convenience of the wheelchair occupant while on the platform
- platform incorporates a passively activated end barrier which acts as the loading and unloading ramp with side panels
- double back-up protection is provided by an efficient manual and speedy auxiliary electric override system
- designed for use with automatic door operators
- durable high-gloss powder coated finish



www.braunability.com/international

ISO 9001:2000

631 West 11th Street, Winamac, IN 46996, USA Phone: +1 574 946 6153 Fax: +1 574 946 4670