



2010 *International Application Guide* • Volume 9 • Issue 1 • 1-11-10



VISTA SERIES™

Vista Series™ Wheelchair Lift

VL955U3144IB

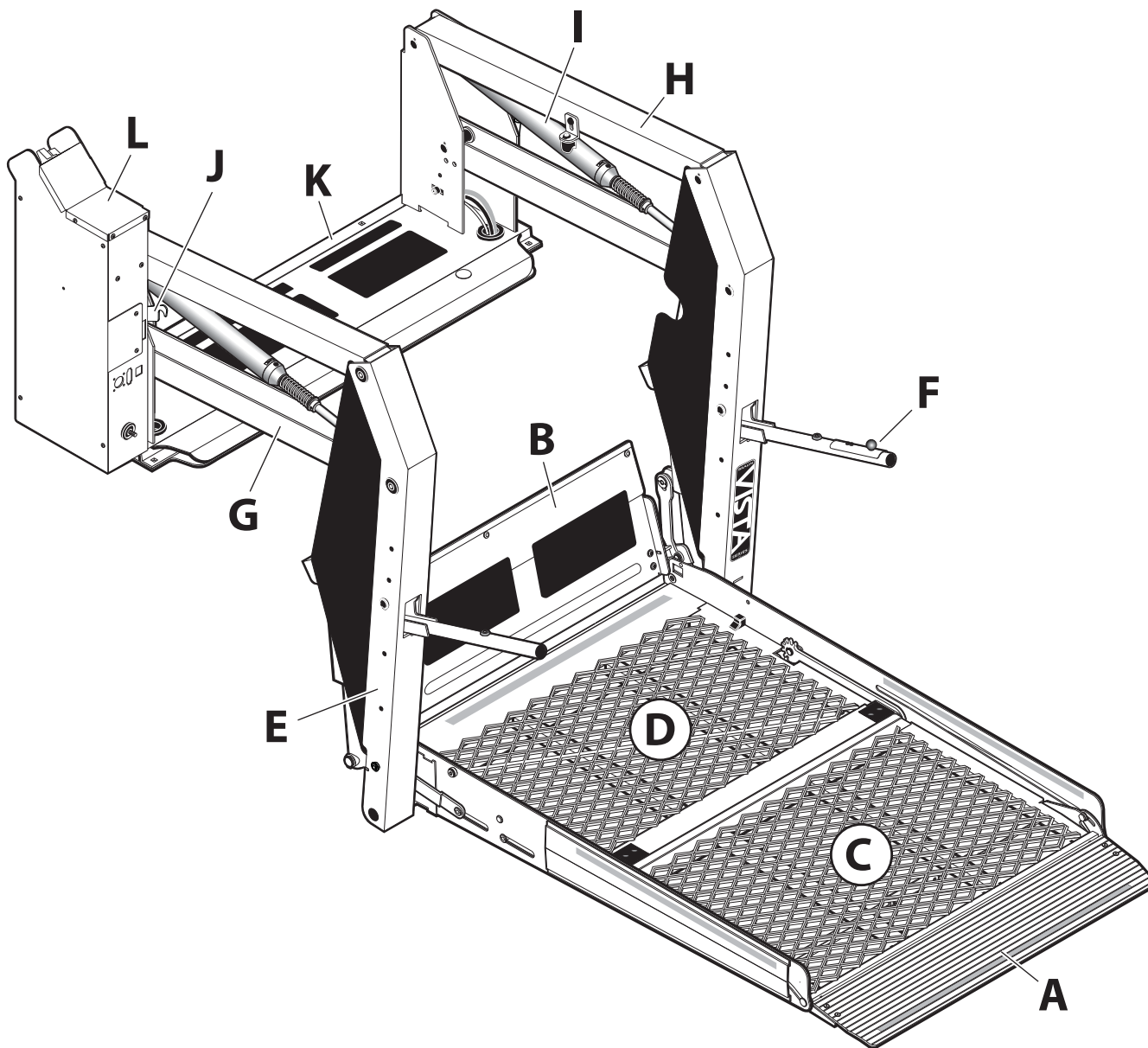
Useable Platform:
31" x 44"
(79 cm x 112 cm)

Explanations of abbreviations: VL955U 31 44 IB

31 = 31" (79 cm) Clear Platform Width

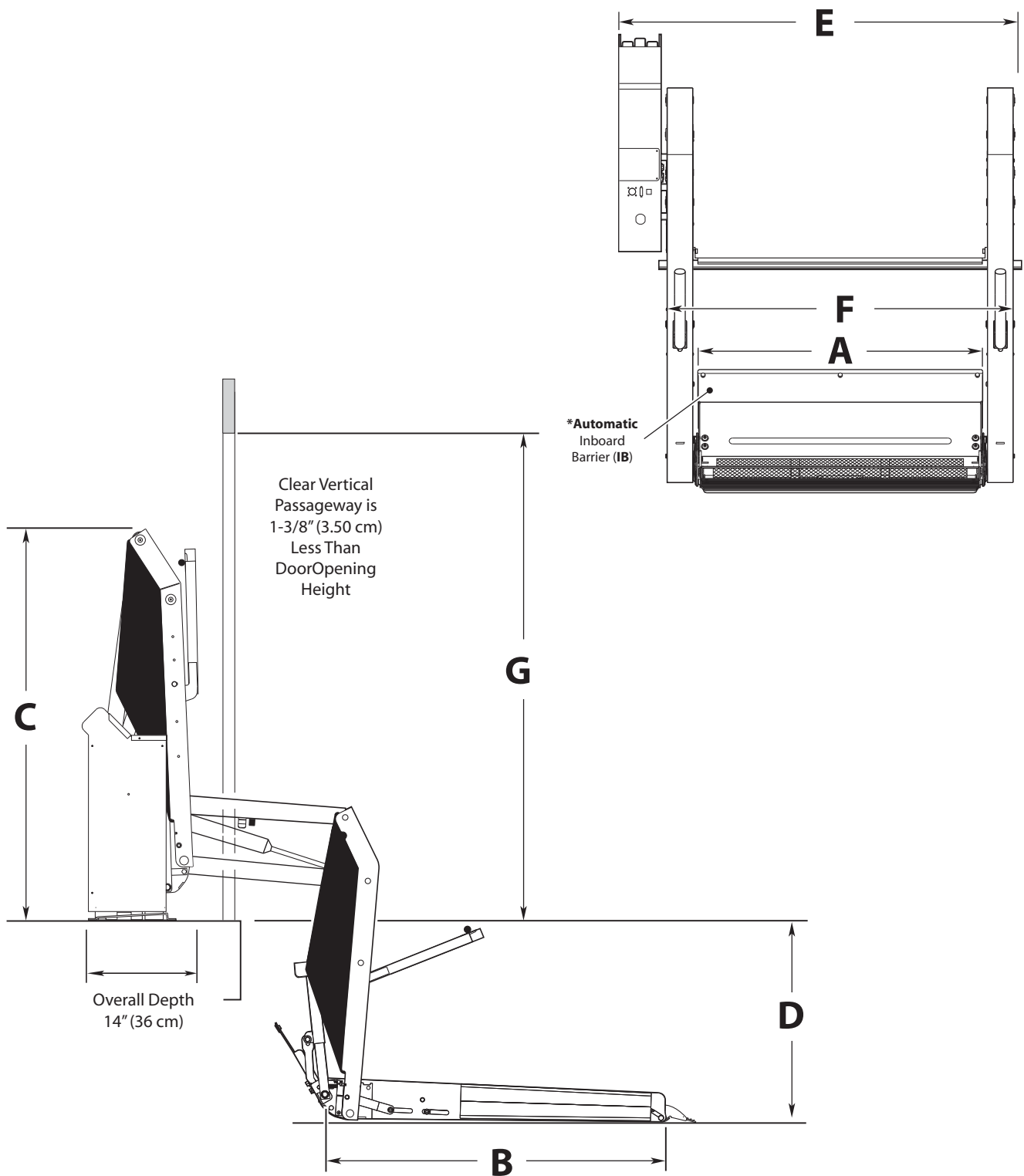
44 = 44" (112 cm) Clear Platform Length

IB = Inboard Barrier



A - Automatic Outboard Barrier	G - Bottom Parallel Arms (2)
B - Inboard Barrier (IB)	H - Top Parallel Arms (2)
C - Outboard Platform	I - Cylinder (2)
D - Inboard Platform	J - Lift-Tite Latch
E - Vertical Arms (2)	K - Base Plate
F - Handrails (2) with Up/Down Switch	L - Pump Module & Control Switches

Vista Series™ Dimensions



All dimensions are for reference only.

Vista Series™			A	B	C	D	E	F	G
Lift Model Number	Operation		Clear Platform Width	Clear Platform Length	Overall Lift Height	Max. Floor to Ground	Overall Lift Width	Min. Clear Door Opening Width	Min. Clear Door Opening Height
	User	Attdt.							
VL955U3144IB	X	X	31"(79cm)	44"(112cm)	47.5"(121cm)	42"(107cm)	46"(117cm)	40"(102cm)	47"(119cm)

Vista Series™ Specifications

General Function: Electrohydraulic, power up/gravity down operation

Operation: Hydraulic pump with two lifting cylinders

Control: Module mounted switches, handrail Up/Down switch, optional hand-held control and remote

Hydraulic: Pressure Max. 2,495 psi (172 bar), Fluid is Univis HVI 26, reservoir is .33 gal (1.25 L)

Construction: Steel structure with powder coat finish

Lift Weight: 340 lbs (154 kg)

Lifting Capacity: 800 lbs (363 kg)

Operating Temperature: 19°F to 149°F (-7°C to 65°C)

Power Supply: 12V DC

Current Consumption: Max. 70A (12V)



Vista Series™ Accessories



62400-000

Side Swing In-Door Operators



23170A

Side Slide Door Operator



15606A Hand-Held Control Station Kit

- Included at no charge when specified on a lift without door operators
- Controls Lift Functions Only



34972K Six-Touch Remote Control System

- Controls all lift functions as well as door operators (if so equipped)
- (North American Frequency)

34352 Extra Transmitter for Six-Touch



26230A

Threshold Warning Kit

Vista Series™ Features



- fully automatic lift, operated by the wheelchair occupant or an attendant
- parallel arm lift with hydraulic cylinders
- unique stacking platform improves driver and passenger visibility through the window and allows access to the door lock normally blocked by the platform
- color-coded rocker switches integrated on the lift
- additional up/down switch is mounted on the handrail
- optional operation by hand-held control box
- optional operation by remote control
- side or rear door application
- dual handrails for security and convenience
- mechanically operated outboard barrier that will be in the fully up position as the platform leaves the ground
- mechanical inboard barrier (IB), ensuring extra safety for the wheelchair occupant
- bridging feature permits the wheelchair user to board the lift from sidewalks or inclines
- integrated back-up pump
- designed for use with automatic door operators
- equipped with an adjustable anti-rattle feature to avoid unpleasant noise in the vehicle during transit
- durable high-gloss powder coated finish
- Lift-Tite system stows the lift platform securely while the vehicle is in transit
- pump module with removable cover offers easy access to all components



www.braunability.com/international

ISO 9001:2000

631 West 11th Street, Winamac, IN 46996, USA Phone: +1 574 946 6153 Fax: +1 574 946 4670